

# LENOX BLOWOUT SALE!

11/1/20 - 12/31/20 WHILE SUPPLIES LAST



**FREE \$50**  
**CABELA'S GIFT CARD**  
FOR FIRST LENOX ORDER  
OF \$500 OR MORE



**FREE DEWALT**  
**RECIP SAW**  
WITH EVERY \$500 IN LENOX  
BLADES PURCHASED!



DWE305  
12.0 AMP RECIPROCATING SAW



## LENOX RECIP BLADES

ITEM	DESCRIPTION	REG PRICE	SALE PRICE
20529B618R	RECIPS B618R 6 X3/4X035X18 25/PK	\$57.08	<b>\$45.67</b>
20175B6118R	RECIPS B6118R 6 X 1 X 035 X 18 25PK	\$78.75	<b>\$63.00</b>
20181B9118R	RECIPS B9118R 9 X 1 X 035 X 18 25PK	\$104.17	<b>\$83.33</b>
20191B12118R	RECIPS B12118R 12 X 1 X 042 X 18 25PK	\$120.00	<b>\$96.00</b>
201926108R	RECIPS 6108R 6 X 1 X 042 X 8 5/PK	\$18.92	<b>\$15.13</b>
20195B9108R	RECIPS B9108R 9 X 1 X 042 X 8 25PK	\$109.58	<b>\$87.67</b>
20523B966R	DEMO RECIP B966R 9 X1X062X6 25/PK	\$109.58	<b>\$87.67</b>
20514B6066R	DEMO RECIP B6066R 6X1X062X6 25/PK	\$82.50	<b>\$66.00</b>



## LENOX HOLE SAWS

ITEM	DESCRIPTION	REG PRICE	SALE PRICE
3001212L	HOLESAW T3 12L 3/4 19MM 1/BX	\$6.20	<b>\$3.73</b>
3001414L	HOLESAW T3 14L 7/8 22MM 1/BX	\$6.20	<b>\$3.73</b>
3001818L	HOLESAW T3 18L 1 1/8 29MM 1/BX	\$6.54	<b>\$3.94</b>
3001919L	HOLESAW T3 19L 1 3/16 30MM 1/BX	\$6.54	<b>\$3.94</b>
1779805	6L T2 ARBOR 3.25 DRILL 1/BOX	\$18.11	<b>\$10.90</b>
3001515L	HOLESAW T3 15L 15/16 24MM 1/BX	\$6.20	<b>\$3.73</b>
3001919L	HOLESAW T3 19L 1 3/16 30MM 1/BX	\$6.54	<b>\$3.94</b>
1864904	PILOT DRILL T2 3.25 25/BOX	\$79.29	<b>\$47.73</b>
3002222L	HOLESAW T3 22L 1 3/8 35MM 1/BX	\$6.91	<b>\$4.16</b>
3003232L	HOLESAW T3 32L 2 51MM 1/BX	\$8.67	<b>\$5.22</b>
3003636L	HOLESAW T3 36L 2 1/4 57MM 1/BX	\$10.64	<b>\$6.41</b>
3004848L	HOLESAW T3 48L 3 76MM 1/BX	\$11.69	<b>\$7.03</b>
1815139	KITS HS MINI KIT ELECTRICAL 8PC	\$36.86	<b>\$22.19</b>
308021200L	KITS H/S KIT 1200L ELECTRCN 12 SIZE	\$196.94	<b>\$118.56</b>
3006868L	HOLESAW T3 68L 4 1/4 108MM 1/BX	\$24.29	<b>\$14.62</b>
3003434L	HOLESAW T3 34L 2 1/8 54MM 1/BX	\$10.64	<b>\$6.41</b>
3005050L	HOLESAW T3 50L 3 1/8 79MM 1/BX	\$11.69	<b>\$7.03</b>
3004242L	HOLESAW T3 42L 2 5/8 67MM 1/BX	\$11.41	<b>\$6.87</b>
3006060L	HOLESAW T3 60L 3 3/4 95MM 1/BX	\$15.79	<b>\$9.50</b>
3006666L	HOLESAW T3 66L 4 1/8 105MM 1/BX	\$18.36	<b>\$11.05</b>
3007676L	HOLESAW T3 76L 4 3/4 121MM 1/BX	\$39.57	<b>\$23.82</b>
3003232L	HOLESAW T3 32L 2 51MM 1/BX	\$8.67	<b>\$5.22</b>
3004848L	HOLESAW T3 48L 3 76MM 1/BX	\$11.69	<b>\$7.03</b>
3002020L	HOLESAW T3 20L 1 1/4 32MM 1/BX	\$6.54	<b>\$3.94</b>
3002424L	HOLESAW T3 24L 1 1/2 38MM 1/BX	\$6.91	<b>\$4.16</b>
3002828L	HOLESAW T3 28L 1 3/4 44MM 1/BX	\$8.67	<b>\$5.22</b>
3004040L	HOLESAW T3 40L 2 1/2 64MM 1/BX	\$11.41	<b>\$6.87</b>
3006464L	HOLESAW T3 64L 4 102MM 1/BX	\$17.16	<b>\$10.33</b>
3008080L	HOLESAW T3 80L 5 127MM 1/BX	\$41.54	<b>\$25.01</b>
3009696L	HOLESAW T3 96L 6 152MM 1/BX	\$55.70	<b>\$33.53</b>
3004141L	HOLESAW T3 41L 2 9/16 65MM 1/BX	\$11.41	<b>\$6.87</b>
3005656L	HOLESAW T3 56L 3 1/2 89MM 1/BX	\$11.69	<b>\$7.03</b>
3007272L	HOLESAW T3 72L 4 1/2 114MM 1/BX	\$33.67	<b>\$20.27</b>



## LENOX VARI BIT

ITEM	DESCRIPTION	REG PRICE	SALE PRICE
30882VB2	VARI BIT VB2 1PK HOLE SIZE 1/2"-1	\$47.11	<b>\$29.68</b>
30883VB3	VARI BIT VB3 1PK HOLE SIZE 1/4"-3/4"	\$41.30	<b>\$26.02</b>
30912VB12	VARI BIT VB12 1PK HOLE SIZE 7/8"-1 3/8	\$72.29	<b>\$45.54</b>



**NORTHERN COLORADO**  
5718 Wright Drive  
Loveland, CO 80538  
Phone: 970.663.0304

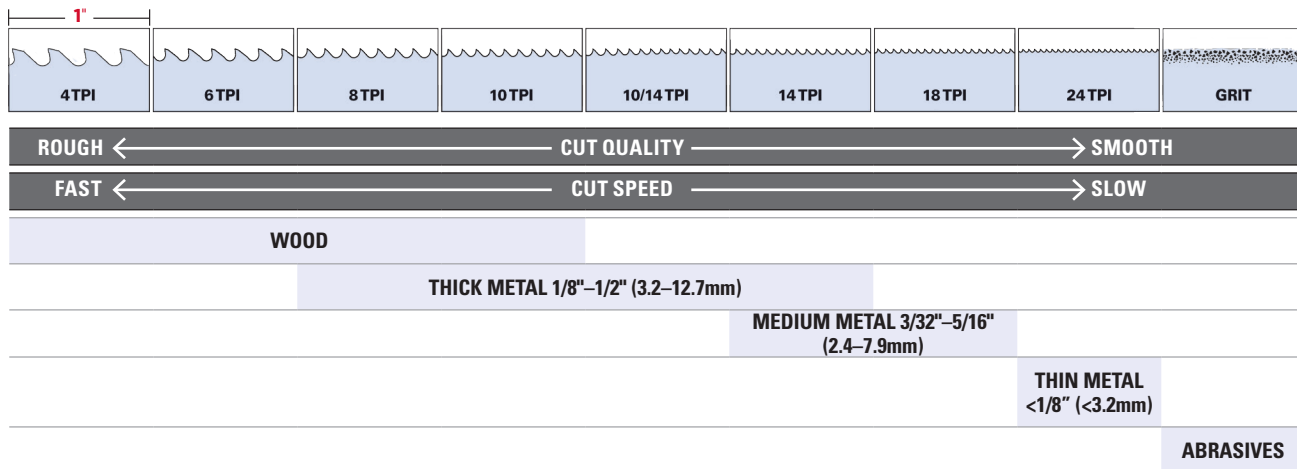
**DENVER**  
4905 Nome Street  
Denver, CO 80239  
Phone: 720.923.5023



# RECIPROCATING SAW BLADE SELECTION GUIDE

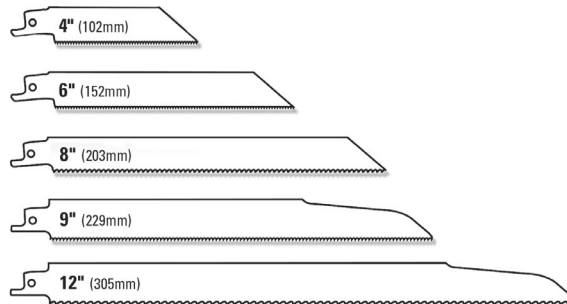
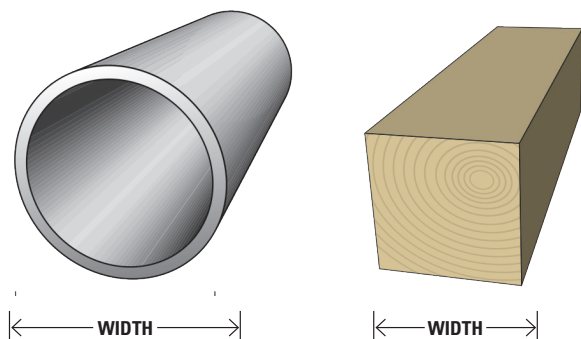
	WOOD	NAIL-EMBEDDED WOOD	NON-FERROUS METAL	DEMOLITION	FIRE & RESCUE	PLASTICS & COMPOSITES	THICK METAL	MEDIUM METAL	THIN METAL	DRYWALL/ PLASTER	TILE & GRANITE	CAST IRON	ABRASIVES
<b>BEST</b>				LENOX Gold <sup>®</sup> POWER ARC <sup>™</sup> CURVED BLADES						BI-METAL	LENOX DIAMOND <sup>™</sup>	LENOX DIAMOND <sup>™</sup>	
<b>BETTER</b>	LENOX Gold <sup>®</sup> POWER ARC <sup>™</sup> CURVED BLADES		LAZER <sup>®</sup>	BI-METAL		LAZER <sup>®</sup>		—	CARBIDE GRIT	CARBIDE GRIT			
<b>GOOD</b>	BI-METAL		BI-METAL	—		BI-METAL		—	—	—			

## TEETH PER INCH SELECTION GUIDE



## BLADE LENGTH SELECTION GUIDE

**TIP** Always keep 2-3 teeth in the material at all times



WIDTH OF MATERIAL + 3" (76mm) = BLADE LENGTH  
 EXAMPLE: 5" (WIDTH) + 3" (76mm) = 8" (203mm).  
 USE AN 8" (203mm) OR 9" (229mm) BLADE



**NORTHERN COLORADO**  
 5718 Wright Drive  
 Loveland, CO 80538  
 Phone: 970.663.0304

**DENVER**  
 4905 Nome Street  
 Denver, CO 80239  
 Phone: 720.923.5023