

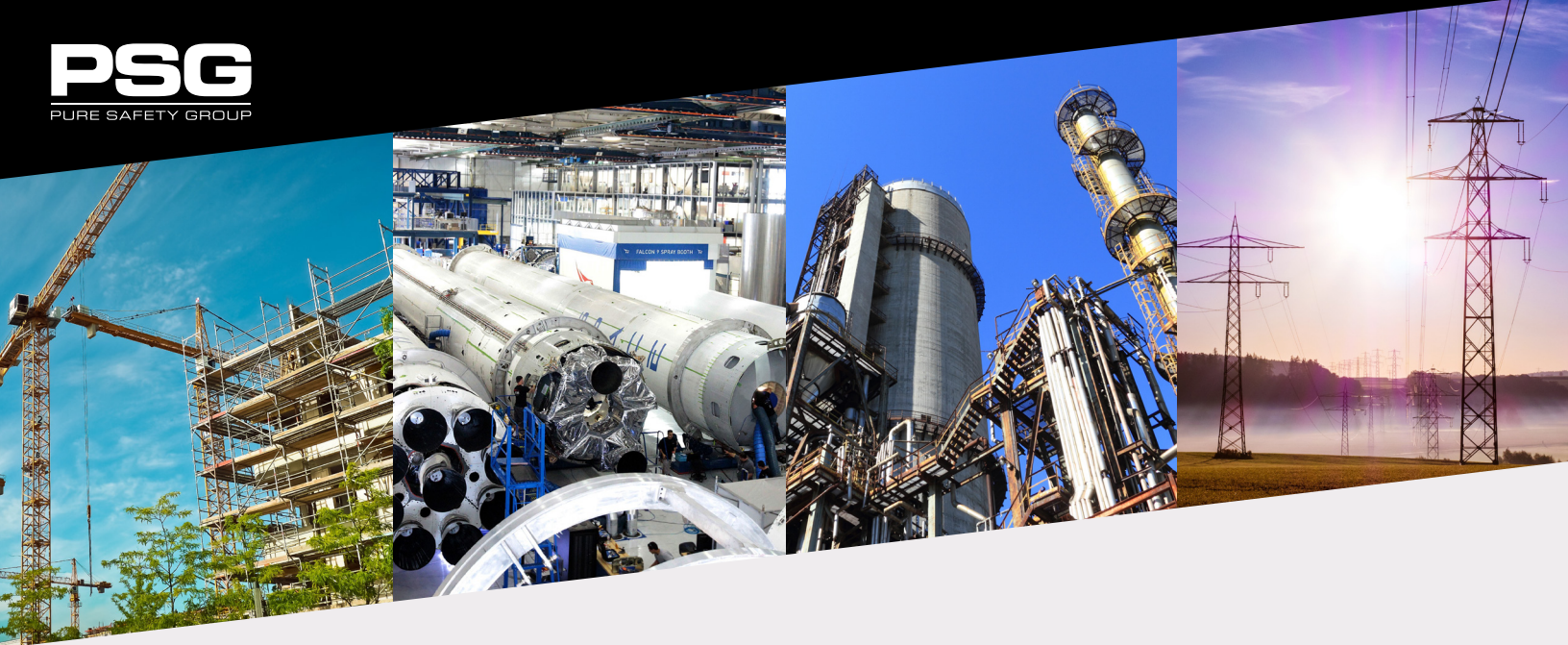


# GUARDRAIL

## CATALOG

ADVANCING FALL PROTECTION





# PSG

PURE SAFETY GROUP

Pure Safety Group (PSG) is the largest dedicated fall protection company in the world, providing high-performance and professional-grade height safety equipment, tool tethering products, and services such as training, engineering, and onsite consultation.

PSG values being the easiest company to do business with in the height safety industry. Its 350 employees serve customers in the construction, energy, utilities, telecom, mining, and transportation industries.

PSG was formed by a team of industry veterans with a family of companies and brands including industry-leading height safety companies Guardian Fall Protection, Web Devices, UK-based Checkmate, and the innovator of tool tethers and foreign materials exclusion, Stronghold by PSG.

Houston, Texas is home to PSG's global headquarters and world training center, with a second training center located in the UK. The PSG innovation portfolio includes 5,000+ products, many of them 'firsts' in the industry, and 160 patents.



Founded in 1993 and based in Kent, Washington, Guardian Fall Protection offers an extensive line of fall protection equipment, custom engineered fall protection systems, and construction jobsite safety training. All of Guardian's products are designed to meet or exceed all applicable OSHA and ANSI requirements.



Checkmate was founded in 1979 and quickly became the UK's leading innovator, designer, and manufacturer of lifting and height safety equipment. Led by innovation, they are the three-time recipient of the Queen's Award for Enterprise in 2004, 2008, and 2011. Checkmate's UK headquarters now acts as the global Innovation and Engineer Development Center for Pure Safety Group.





## TRAINING & ESG

The training facility, one of the largest in the industry, features the new PSG training program, the most current curriculum in the industry that includes simulations on 12 structures in a 22,000-square-foot indoor environment for hands-on, real-time application of classroom learning.



PSG Headquarters

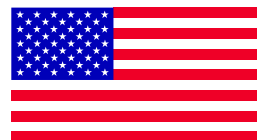
The training incorporates OSHA and ANSI standards information, which is aligned with PSG's commitment to 100 percent compliance with ANSI voluntary standards in the manufacture of its products.

The Houston training facility is in addition to the company's UK-based training program, which it acquired as part of the PSG purchase of Checkmate Lifting & Safety in June 2018.

PSG's Custom Engineering services team provides customers with consultation, project engineering, analysis, and installation, all to ensure a successful turnkey project.



Stronghold by PSG is a global leader in dropped object prevention and foreign material exclusion, a trusted partner invested in protecting people and powering businesses. Ty-Flot provides products, training, and staffing solutions designed to protect your people, accelerate your business, and save you time and money. The company is an active contributor to the ANSI/ISEA 121-2018 standard.



Pure Safety Group is proud to assemble Guardian Fall and Stronghold branded products in the United States. This practice dates back to 1976 and continues today in Houston, TX and Manchester, NH. All fall protection products meet or exceed OSHA and ANSI requirements.

**VISIT**

[PURESAFETYGROUP.COM](http://PURESAFETYGROUP.COM)



# Contents

G-rail	6
Quickset Multi-Directional Baseplate	7
Toeboard Attachment	7
Guardrail Baseplate	8
Collapsible G-rail	8
Swing Gate	9
Parapet Guardrail System	10
Parapet Anchor for Guardrails	10
C-slab Grabbers	11
Residential Guardrail System	12





## Contents (Cont.)

Stamped Steel Warning Flag & Line Post	12
Goose Warning Line Stanchion & Flag Line	13
Post-on & Snap-on Rails	14
Stacker Bracket	15
Guardrail Receivers	16
Guardrail Stair Mounts	16
Guardrail Angel Boot	17
Guardrail Gusset	17
Friction Fit Bracket	18
Swinging G-rail Kit	19
PSG Services	20-23



Guardian's freestanding Safety G-Rail is available in lengths of 6', 8', 10', and 12', and is made from powder-coated and galvanized steel for supreme durability and weather resistance. Compatible with both the QuickSet Multi-Directional Baseplate and Guardrail Baseplate.

**Features**

- Compatible with both the QuickSet Multi-Directional Baseplate and Guardrail Baseplate
- The Outrigger Post (15160) is installed perpendicular to a continuous run and is required at both ends of any guardrail interruption
- For galvanized options, custom colors are available upon request (reach out to your sales representative)

**Standards**

- OSHA 1910 & 1926 Subpart M



Prod. Code	Width	Height	Materials
15183	6'	42"	Powder-Coated Steel
15182	8'	42"	Powder-Coated Steel
15181	10'	42"	Powder-Coated Steel
15202	12'	42"	Powder-Coated Steel
15183-GALV	6'	42"	Galvanized Steel
15182-GAVL	8'	42"	Galvanized Steel
15181-GAVL	10'	42"	Galvanized Steel
15160	2.25'	1'	Powder-Coated Steel





# QUICKSET MULTI-DIRECTIONAL BASEPLATE

## GUARDRAILS

The QuickSet Multi-Directional Baseplate allows the ability to run rails in many directions, and requires no penetration of the substrate. It also offers four toe-board attachment points, and is composed of powder-coated steel.



15178

### Features

- The Quickset Multi-Directional Baseplate (15178) accommodates up to four guardrail posts and requires no penetration into the substrate

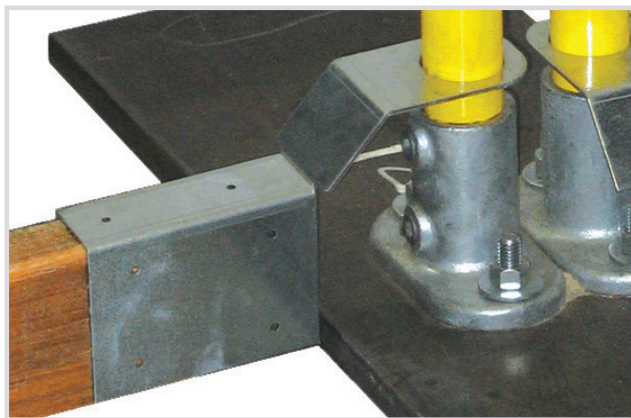
### Standards

- OSHA 1910 & 1926 Subpart M

# TOEBOARD ATTACHMENT

## GUARDRAILS

The Toeboard Attachment is intended for use with the standard Guardrail Baseplate, part # 15180. This attachment provides easy adaptability of guardrail systems, and complies with both OSHA and ANSI standards. Toeboards are required if any risk exists for tools, equipment, or materials to fall down from the working surface, and on all roofs with slopes greater than 4/12 (vertical/horizontal).



### Features

- The Toeboard Attachment is intended for use with the standard Guardrail Baseplate (15180)

### Standards

- OSHA 1910 & 1926 Subpart M

Prod. Code	Length	Materials
15184	10"	Galvanized Steel
15185	21 1/4"	Galvanized Steel

# GUARDRAIL BASEPLATE

## GUARDRAILS

The Guardrail Baseplate is composed of galvanized steel for superior durability and weather resistance, and is designed to reduce potential rooftop stain or rust. It is skid-resistant and requires no rooftop attachment.

### Features

- The Guardrail Baseplate (15180) is composed of galvanized steel for superior durability and weather resistance. It requires no rooftop attachment

### Standards

- OSHA 1910 & 1926 Subpart M

Prod. Code	Description	Materials
15180	Guardrail Baseplate	Galvanized Steel
15186	Guardrail Knuckle	Galvanized Steel



# COLLAPSIBLE G-RAIL

## GUARDRAILS

The Collapsible Guardrail System is easy to install, and compatible with all Guardian baseplates. It is designed to collapse in towards the work area to allow entry to/exit from controlled access areas.

### Features

- Designed to collapse in towards the work area to allow entry to/exit from controlled access areas
- Made from powder-coated steel for supreme durability and weather resistance
- Quick and easy to install- no penetration required

### Standards

- OSHA 1910 & 1926 Subpart M



Prod. Code	Width	Height	Materials
15189	6'	42"	Powder-Coated Steel
15190	8'	42"	Powder-Coated Steel
15191	10'	42"	Powder-Coated Steel
15202-C	12'	42"	Powder-Coated Steel

Prod. Code	Description	Materials
15172	Collapsible Adapter	Powder-Coated Steel



# SWING GATE

## GUARDRAILS

Establish entry and exit point to a controlled access area with the Guardrail Safety Swing Gate.



15105

### Features

- Establish entry and exit point to a controlled access area with the Guardrail Safety Swing Gate
- Fits up to 2" diameter hole
- Adjusts maximum 4" below stated width

### Standards

- OSHA 1910 & 1926 Subpart M

Prod. Code	Length	Materials
15105	18'	Powder-Coated Steel
15110	24'	Powder-Coated Steel
15111	36'	Powder-Coated Steel
15112	27'	Powder-Coated Steel



# PARAPET CLAMP GUARDRAIL SYSTEM

GUARDRAILS

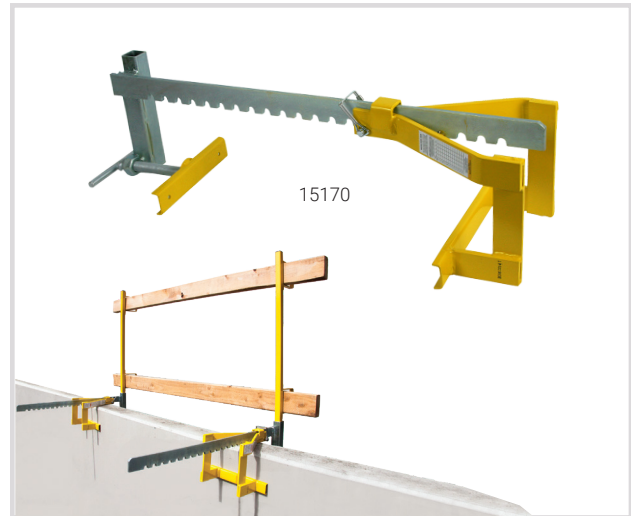
The Parapet Clamp Guardrail System is fast and easy to install. Each Parapet Clamp includes a corresponding guardrail post, which is compatible with both 2" X 4" boards or our Snap-On Metal Rails. This system can fit any parapet from 10" – 24" in thickness, and an entire system can be easily assembled by one person.

## Features

- The Parapet Clamp Guardrail system (15170) fits a wide range of parapets (minimum 7" high) from 10" - 24" in thickness
- OSHA-compliant guardrails system
- Durable, non-corrosive components
- 8' max spacing

## Standards

- OSHA 1910 & 1926 Subpart M



# PARAPET ANCHOR FOR GUARDRAILS

GUARDRAILS

The Parapet Anchor System can be used to accommodate guardrail posts, as a standalone anchor point, or in conjunction with a horizontal lifeline (when installed perpendicular to the parapet only). This anchor system can adjust to fit parapet walls 4" - 20". It also has large, easy-to-grip adjustment handles for quick set-up.

## Features

- The Parapet Clamp Guardrail system (15171) can be used to accommodate guardrail posts, as a standalone anchor point, or in conjunction with an HLL (only when installed perpendicular to parapet)
- Can be used as anchor point for Fall Arrest
- OSHA-compliant guardrail system

## Standards

- OSHA 1910 & 1926 Subpart M





# C-SLAB GRABBER

## GUARDRAILS

The C-Slab Grabber is the perfect solution for installing guardrail systems on concrete slabs. It includes an anti-slip grip, a quick-adjust handle, and a back-up safety pin (to prevent accidental detachment). The C-Slab Grabber is fast and easy to install, and adjusts to fit concrete slabs up to 36" thick. It is compatible with 2" X 4" and 2" X 6" boards, as well as cable or Snap-On Metal Rails (Part # 61074).



### Features

- The C-Slab Grabber (15500) is the perfect solution for installing guardrail systems on concrete slabs
- Compatible with concrete slabs up to 36" thick
- Composed of powder-coated steel, making it supremely durable and weather resistant

### Standards

- OSHA 1910 & 1926 Subpart M



# RESIDENTIAL GUARDRAIL SYSTEM

GUARDRAILS

The Residential Guardrail System is intended for steep roof pitches ranging from 6/12 to 12/12. This versatile and lightweight system is easy to install and remove, and is compact for convenient storage. Composed of powder-coated steel, it is designed for superior durability and weather resistance.

## Features

- The Residential Guardrail System (15173) and Residential Guardrail Post (15175) are intended for steep roof pitches ranging from 6/12 to 12/12
- Compact for convenient storage
- Composed of powder-coated steel, making it supremely durable and weather resistant

## Standards

- OSHA 1910 & 1926 Subpart M



# STAMPED STEEL WARNING FLAG & WARNING LINE POST

GUARDRAILS

## Features

- The Stamped Steel Warning Flag & Warning Line Post is powder-coated for superior durability and weather resistance

## Standards

- OSHA 1910 & 1926 Subpart M

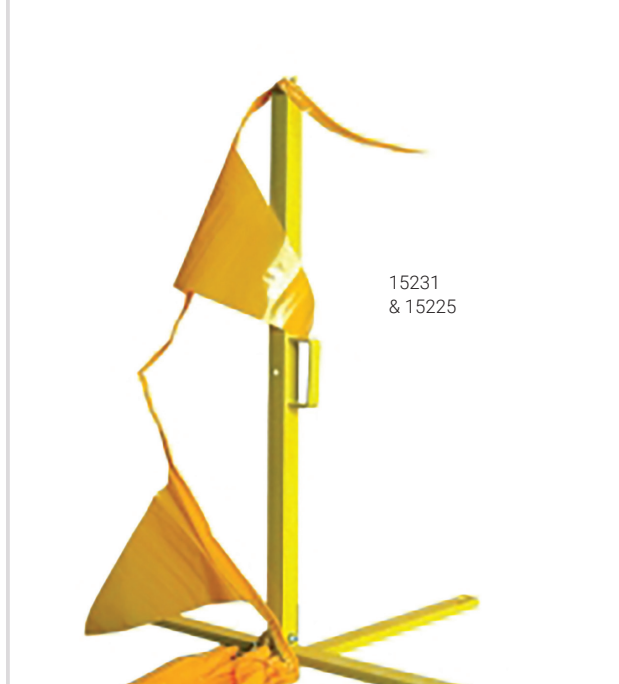


Prod. Code	Description	Materials
15038	Stamped Steel Warning Flag	Powder-Coated Steel
15039	Warning Line Post	Powder-Coated Steel
01401	Cut To Order 5/32" Wire Rope	Vinyl-Coated Steel

# GOOSE WARNING LINE STANCHION & WARNING FLAG LINE

## GUARDRAILS

The Goose Warning Line Stanchion features a carrying handle, spring-loaded legs, is 39" tall, and is composed of aluminum.



### Features

- The Goose Warning Line Stanchion features a carrying handle, spring-loaded legs, and is 39" tall
- The Warning Flag Line has a heavy-duty, durable nylon cord, has large, heat-sealed flags, and is compatible with the Goose Warning Line Stanchion
- The Warning Line Stanchion is a 39" tall and specially designed for use with a reusable warning line

### Standards

- OSHA 1910 & 1926 Subpart M

Prod. Code	Description	Materials
15227	Goose Warning Line Stanchion	Aluminum
15231	Warning Flag Line	Nylon
15225	Warning Line Stanchion	Powder-Coated Steel



# POST-ON & SNAP-ON RAILS

## GUARDRAILS

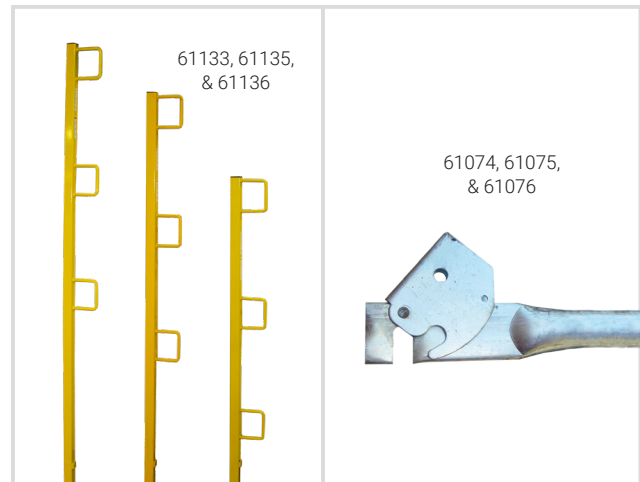
Our lightweight welded steel Universal Guardrail Posts are designed to work with our variety of guardrail mounting options. Compatible with our Universal Guardrail Posts, the Snap-On Metal Rail eliminates the need to use 2" X 4" boards to function as guardrails. Zinc-plated for superior weather resistance, the Snap-On Metal Rail is both lightweight and reusable, and locks on to guardrail posts to eliminate all risk of accidental detachment.

### Features

- The Universal Guardrail Posts (61133, 61135, & 61136) are designed to work with a variety of guardrail mounting options
- The Snap-On Metal Rail (61074-61076) eliminates the need to use 2" x 4" boards to function as guardrails

### Standards

- OSHA 1910 & 1926 Subpart M



Prod. Code	Description	Length	Materials
61133	Universal Guardrail Post	52"	Powder-Coated Steel
61135	Universal Guardrail Post	65"	Powder-Coated Steel
61136	Universal Guardrail Post	74"	Powder-Coated Steel

Prod. Code	Description	Length	Materials
61074	Snap-On Metal Rail	10'	Zinc-Plated Steel
61075	Adjustable Snap-On Metal Rail	4'-7'	Zinc-Plated Steel
61076	Adjustable Snap-On Metal Rail	7'-10'	Zinc-Plated Steel

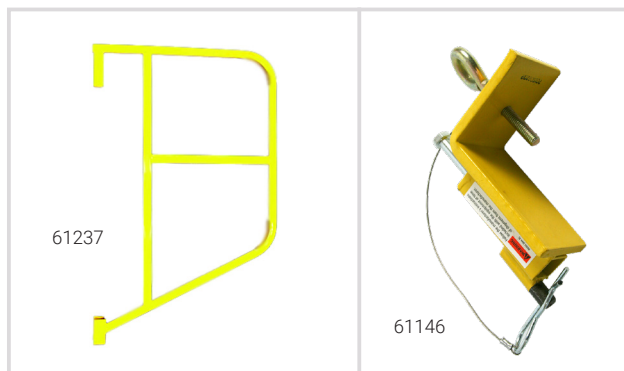




# STACKER BRACKET®

## GUARDRAILS

The Stacker Bracket System is used to install a safe working surface on either the exterior or interior of a building. Utilizing top clamps, hanger brackets, frames, end rails, and toeboard attachments, this system can be used in place of more traditional scaffolding equipment. Compatible with 2" X 4" boards and Snap-on Metal Rails.

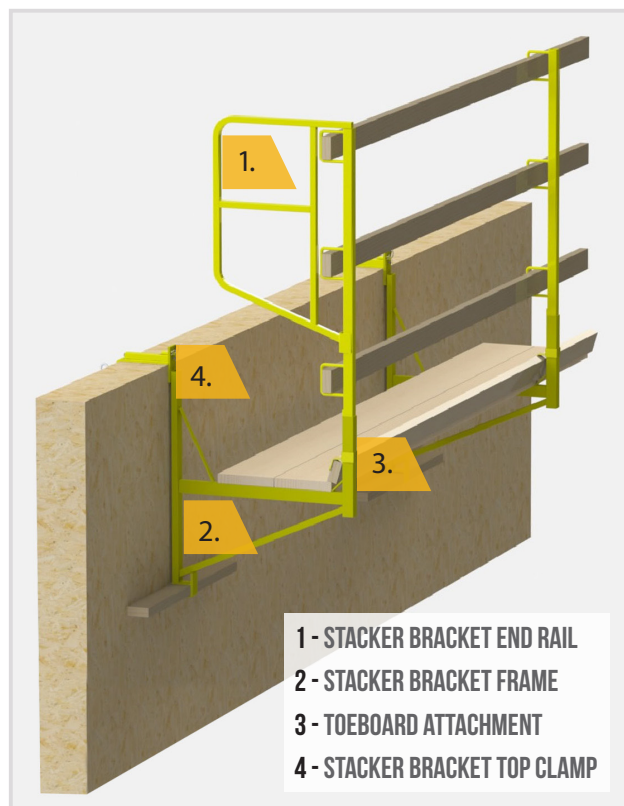


### Features

- The Stacker Bracket System contains an End Rail (61128), a Frame (61129), and a Toeboard Attachment (61142)
- The Stacker Bracket Top Clamp (61146) attaches to the frame & functions to provide a safe hanging scaffolding system near the fall hazard

### Standards

- OSHA 1910 & 1926 Subpart M



Prod. Code	Description	Materials
61128	Stacker Bracket End Rail	Powder-Coated Steel
61129	Stacker Bracket Frame	Powder-Coated Steel
61142	Toeboard Attachment	Powder-Coated Steel

Prod. Code	Description	Materials
61146	4" Stacker Bracket Top Clamp	Powder-Coated Steel
61148	6" Stacker Bracket Top Clamp	Powder-Coated Steel
61149	8" Stacker Bracket Top Clamp	Powder-Coated Steel
61143	10" Stacker Bracket Top Clamp	Powder-Coated Steel
61144	12" Stacker Bracket Top Clamp	Powder-Coated Steel
61237	3' Stacker Bracket End Rail	Powder-Coated Steel

# GUARDRAIL RECEIVERS

GUARDRAILS

Guardrail Receivers may be installed on wood, metal, and concrete substrates, and are composed of powder-coated steel for superior durability and weather resistance.

## Features

- Guardrail Receivers may be installed on wood, metal, and concrete substrates
- Composed of powder-coated steel for superior durability and weather resistance

## Standards

- OSHA 1910 & 1926 Subpart M



Prod. Code	Description	Materials
15158	Guardrail Post Receiver	Powder-Coated Steel
61029	2" x 4" Receiver	Powder-Coated Steel

# GUARDRAIL STAIR MOUNTS

GUARDRAILS

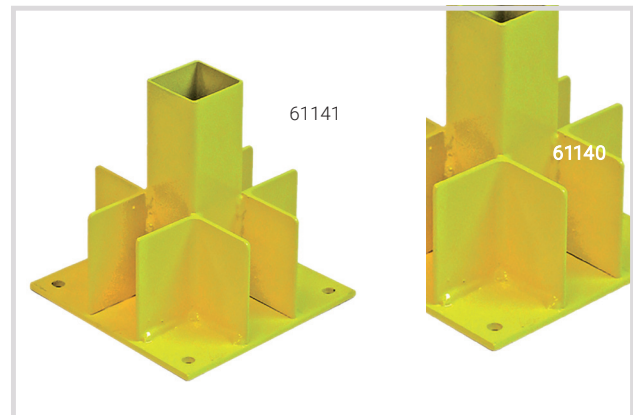
Stair Mounts are the ideal solution for the installation of guardrails on unfinished stair cases. Composed of powder-coated steel, Stair Mounts are suitable for installation onto both wood and concrete substrates.

## Features

- Stair Mounts are the ideal solution for the installation of guardrails on unfinished stair cases
- Suitable for installation onto both wood and concrete substrates

## Standards

- OSHA 1910 & 1926 Subpart M

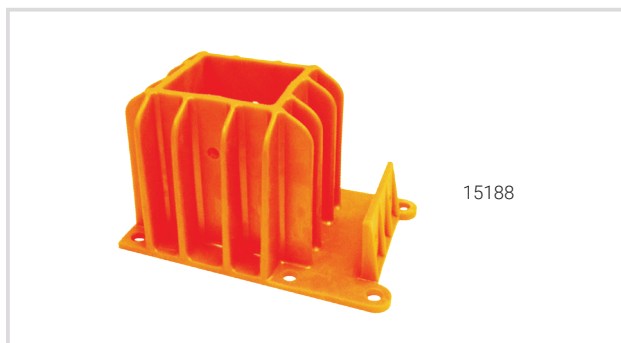


Prod. Code	Description	Materials
61140	Guardrail Post Stair Mount	Powder-Coated Steel
61141	2" x 4" Stair Mount	Powder-Coated Steel

# GUARDRAIL ANGEL BOOT

## GUARDRAILS

The Guardrail Angel Boot is used in the assembly of a wooden guardrail system. Use two 2" X 4" boards to assemble the vertical member, and additional 2" X 4" boards for railings.



### Features

- The Guardrail Angel Boot (15188) is used in the assembly of a wooden guardrail system

### Standards

- OSHA 1910 & 1926 Subpart M



# GUARDRAIL GUSSET

GUARDRAILS

Guardrail Gussets are simple to install with either screws or nails, and allow for guardrail systems to be installed flush with outside walls. Compatible with all Guardian Universal Guardrail Posts.

## Features

- The Guardrail Gusset is reusable & allows for guardrail systems to be installed flush with outside walls

## Standards

- OSHA 1910 & 1926 Subpart M

Prod. Code	Description	Materials
15159	5 3/4" Gusset	Galvanized Steel
61027	9 1/4" Gusset	Galvanized Steel



# FRICTION FIT BRACKET

GUARDRAILS

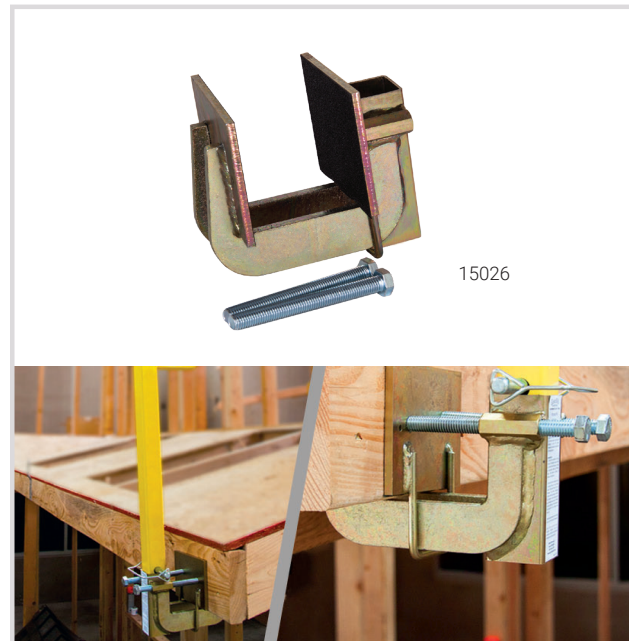
The Friction Fit Bracket is specially designed to adjust and securely fit onto fascia boards. This bracket is supremely durable, and may be used in combination with all Guardian Universal Guardrail Posts.

## Features

- The Friction Fit Bracket (15026) is specifically designed to adjust and securely fit onto fascia boards
- May be used in combination with all Guardian Universal Guardrail Posts

## Standards

- OSHA 1910 & 1926 Subpart M





# SWINGING G-RAIL KIT

## GUARDRAILS

The Swinging G-Rail kit adapts our popular G-Rail for use as a loading dock, ramp, or other point-of-access gate. Available in 6', 10', 12' lengths, or as a stand-alone kit for an existing G-Rail, the Swinging G-Rail kit installs easily with simple hand tools.



### Features

- Modifies our popular G-Rail into a gate for use on loading docks, ramps, or other points of access
- OSHA-compliant loading dock, point-of-access gate
- Available as complete G-Rail assembly or retrofit kit for existing G-Rails
- Durable powder-coated steel construction
- Simple install with basic tools
- Prevents workers from accessing fall hazards
- Custom colors available upon request

### Standards

- OSHA 1910 & 1926 Subpart M

Prod. Code	Length	Materials
15215	6'	Powder-coated & galvanized steel
15216	10'	Powder-coated & galvanized steel
15217	12'	Powder-coated & galvanized steel

Prod. Code	Description
15218	Swinging G-rail kit for Retrofit



# PSG

---

PURE SAFETY GROUP

The Pure Safety family of companies has been delivering training successfully to the working at height communities for decades.

## PSG TRAINING PROGRAM

This year we launched a new and exciting training facility in Pasadena, Texas.

The training facility, one of the largest in the industry, will feature the new PSG training program, the most current curriculum in the industry that incorporates real-world training on multiple structures set in a 22,000-square-foot indoor environment focusing on hands-on, real-time application of classroom learning.

The training incorporates OSHA and ANSI standards information, which is aligned with PSG's recent commitment to 100 percent compliance with ANSI voluntary standards in the manufacture of its products.

Students graduate from the program as certified authorized and competent persons for job site inspections and authorizations of fall safety equipment.

The Houston training facility alongside our Seattle facility serve the Americas and our UK-based training program, from our Checkmate company, serves Europe region.

Pure Safety believes that education is a critical factor in increasing safety for workers at height.

Providing industry-leading fall protection training in the classroom, onsite in our customers' locations and via our online web portal ensures this essential information is as accessible as possible throughout the market.

Our dedicated team of safety professionals have more than 100 years of combined experience across a wide variety of industries and applications.



Our wide range of Training Courses include:

- Fall Protection Awareness
- Authorized Person
- Competent Person
- Competent Person Refresher
- EM385 Competent Person
- Program Manager
- Competent Inspector
- Dropped Objects Training
- FME Monitor Training
- Authorized Rescue
- Confined Space Awareness
- Confined Space Non-Entry / Rescue
- Confined Space Entry / Rescue



[puresafetygroup.com/training](https://puresafetygroup.com/training)  
800.466.6385



# PSG

---

PURE SAFETY GROUP

## PSG SERVICES TEAM ENGINEERED SYSTEMS

Our Engineered Systems team specializes in providing highly customized solutions for complete fall protection and façade maintenance systems.

Our services encompass the full lifecycle of a project starting with customer needs gathering through project completion. Our Planning, Design, and Implementation Services include:

- **Fall Hazard Analysis**
- **Project Management**
- **Project Engineering & Design**
- **Custom Design & Fabrication**
- **System Installation Supervision**
- **Testing and Certification**

Our systems-based approach, includes these key steps to ensure we understand customer requirements and deliver the appropriate solution.

### **Consultation**

Our team of customer-focused engineers and project managers provide technical consultation for clients to determine the safest and most cost-effective fall protection solutions for each project.

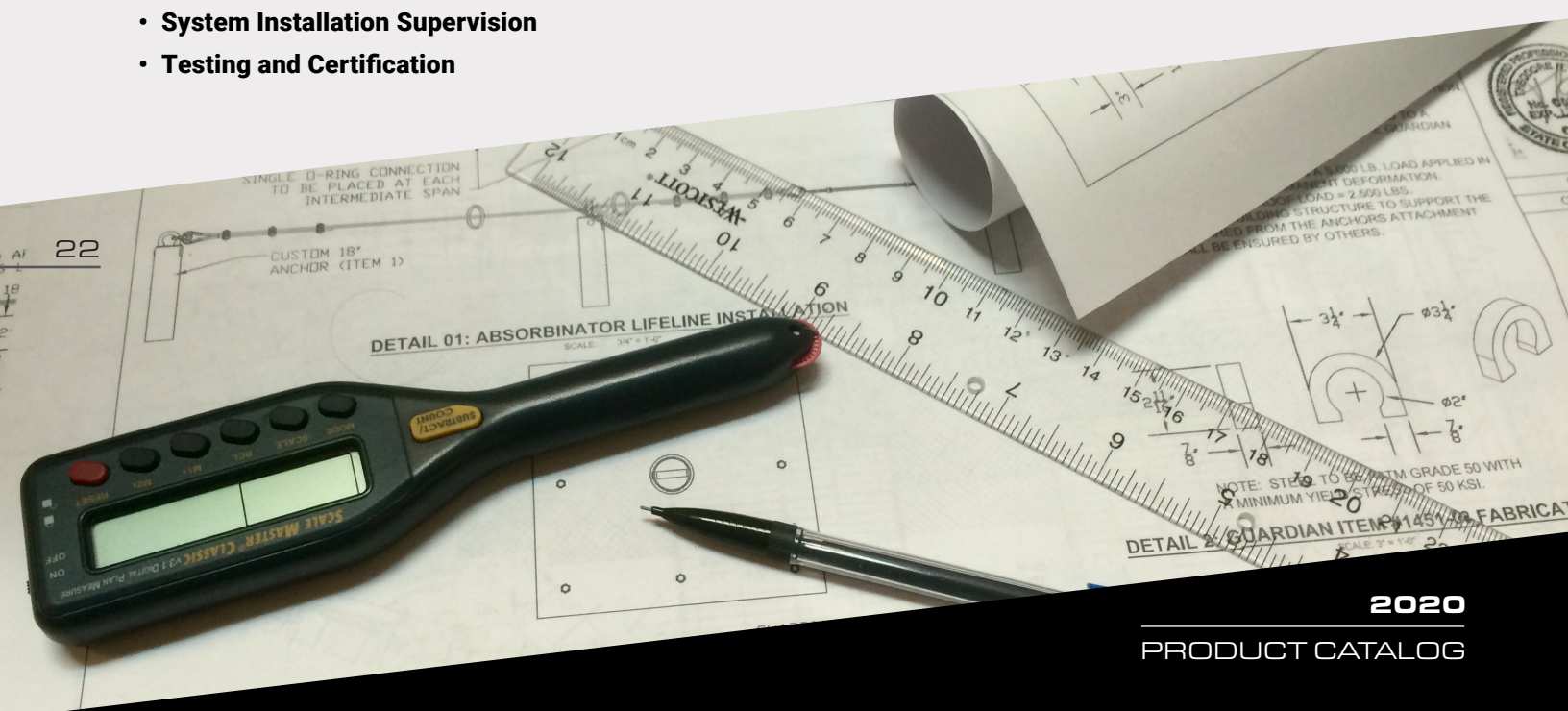
### **Design**

Our Engineering team designs a custom solution based on agreed upon customer requirements. Our team understands that fall protection solutions may impact other aspects of the building, such as truss design and mechanical system layouts, so we send preliminary design drawings to clients for final approval, prior to a Professional Engineer review and stamp.

### **Custom Design & Fabrication**

Our team creates unique fall protection and façade maintenance solutions through custom design and fabrication. We offer solutions for an extensive array of applications including wood, metal, concrete and standing seam roof decks as well as a variety of wall and ceiling structures.

Included are custom safety netting, rigid rail and guardrail systems.







We offer a variety of finishing options that will work best for your specific environmental needs, including but not limited to galvanized steel, stainless steel, and custom powder coating.

### **Installation Supervision**

As part of our optional turn-key service, our expansive network of certified installers work in all 50 states under the direct guidance of our project management staff. Each installation team is trained by our experts to ensure that all projects are completed in a timely fashion, and in accordance with the drawings and specifications provided by our system engineers.

Alternatively, clients may elect to self-install under the supervision of an Engineered Systems representative. Working closely with the client's staff, the Engineered Systems representative will ensure the system is installed in compliance with our specifications

### **Documentation**

OSHA and ANSI require that building owners complete a fall protection plan and keep a copy on file. We take care of the paperwork and ensure that each client is left with a complete package that includes:

- As-built drawings
- Operation and Maintenance Data
- Other project specific items

We work with a broad variety of systems including:

- **Safety Netting**
- **Guardrail**
- **Custom Horizontal Lifeline Systems**
- **Custom Anchor Point Systems**
- **Rigid Rail**
- **Façade Maintenance**



**PURE SAFETY GROUP**  
SERVICES TEAM - ENGINEERED SYSTEMS

[puresafetygroup.com/training](http://puresafetygroup.com/training)  
800.466.6385





guardianfall.com  
800.466.6385



@guardianfall